

S

Wine Coolers



scandomestic



Wine Coolers

General features

- 1 or 2 zones: A single-zone wine cooler maintains a constant temperature throughout the cabinet. The advantage of 2 zones is that you can store several types of wine at their ideal temperature in the same cooler, saving space.
- Interior LED lighting provides an overview of your wine collection and highlights the bottles without affecting the wine's quality.
- Stable pull-out shelves in beech wood provide an elegant look and easy access to the bottles.
- Digital display ensures user-friendly operation and a quick overview of temperature and settings.
- Control panel for each zone offers full flexibility as well as easy and precise control.
- With or without UV-protected glass door that shields against sunlight and preserves the wine's aroma and color.
- Vibration-damped compressor preserves wine quality by minimizing movement during storage.
- Nordic design with clean lines and timeless style combines functionality with aesthetics.
- Adjustable temperatures give you full control over storage conditions for different types of wine.
- Built-in or freestanding – a flexible solution suitable for both kitchen integration and standalone placement.
- Models with z-shaped shelves are designed to handle the most common bottle types on the market. Whether you are storing the slim Alsace bottle, the classic Bordeaux (Bordolese), the wider Burgundy (Borgognotta) or the characteristic Rhône bottle, you will get a solution where each bottle is stable and secure.
- Special formats such as Bordolese Imperiale, Clavelin as well as champagne bottles and champagnotta, including Magnum (selected models) which often require extra space and proper support. The shelves are designed to make optimal use of the space without compromising accessibility or presentation.





WC361BE

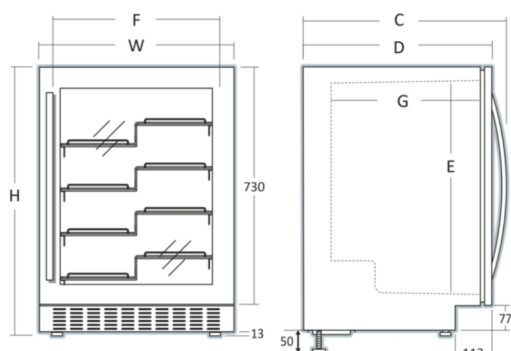


- Thin Black full glass door without visible hinge
- Single Zone, 36 bottles
- Optimized for Bordeaux, Burgundy, Alsace and Rhône bottles
- LCD display with touch control
- 4 black Z shape shelves with 100% sliding out
- Suitable for built-in installation only
- 3 layers tempered glass door in tinted to filter UV ray
- Dimmable LED sidelight
- The cabinet has one zone, can be adjusted between 5°C – 20°C and can hold 36 bottles on 4 shelves. The model has been developed for optimal wine storage with a focus on stability, low noise level and exclusive design.
- The cabinet is equipped with an extra-quiet fan, which distributes the cooled air efficiently. This minimizes further noise while ensuring an even temperature throughout the cabinet.
- Electronically controlled and has a digital control panel, so it is easy to see and adjust the temperature in the cabinet via the touch panel.
- The activated carbon filter ensures clean and neutral air in the cabinet by absorbing unwanted odours, which helps to protect the aroma of the wine during ageing.
- Dimmable LED side light that elegantly highlights the wines. Has tinted 3-layer UV-protective glass.
- The rubber-suspended inverter compressor significantly reduces vibrations and ensures quiet storage conditions that protect the quality of the wine during storage.
- WC361BE can only be used for built-in solutions.

Wine Cooler, Professional

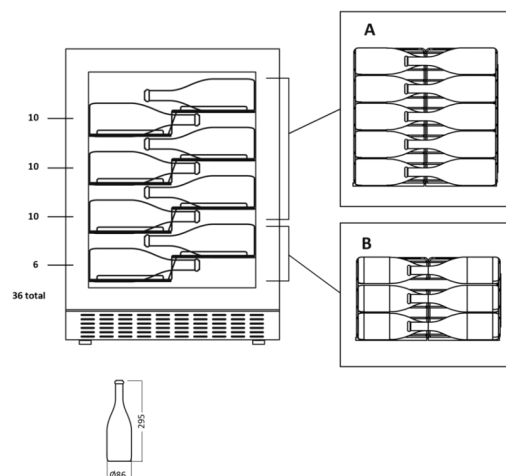
| | |
|---------------------------------|-----------------|
| ■ Wine bottles, pcs | 36 |
| ■ Temperature Zones | 1 |
| ■ Noise level, dB(A) | 38 |
| ■ Product dimensions, HxWxD, mm | 820 x 595 x 578 |
| ■ Internal light | 2 Vertical LED |
| ■ EAN code | 5704704023116 |

Measurement drawing



| | | | | | | |
|-----|-----|-----|-----|-----|-----|-----|
| H | W | D | C | E | F | G |
| 820 | 595 | 578 | 623 | 650 | 510 | 445 |

Number of bottles





WC1281BF

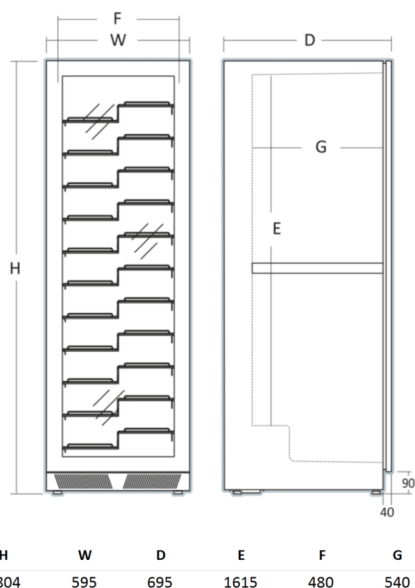


- Thin Black full glass door without visible hinge
- Single Zone, 128 bottles
- Optimized for Bordeaux, Burgundy, Alsace and Rhône bottles
- LCD display with touch screen control
- 11 black Z shape shelves with 100% sliding out, one for Magnum bottles
- Temperature Range: 5-20°C - Dimmable LED sidelight
- Built in or Free standing
- 3 layers tempered glass door in tinted to filter UV ray
- This single-zone wine cabinet offers adjustable temperatures from 5°C to 20°C and stores up to 128 bottles on 11 shelves. Developed for optimal wine storage, it combines stable cooling, quiet operation, and an exclusive design.
- An extra-quiet fan ensures even temperature distribution with minimal noise, while the electronic touch control makes temperature adjustment simple and precise.
- The activated carbon filter keeps the air fresh and neutral, helping preserve the wine's aroma during ageing. Dimmable LED side lighting elegantly displays the collection behind tinted 3-layer UV-protected glass.
- A rubber-mounted inverter compressor reduces vibrations and noise, providing ideal storage conditions for fine wines.
- Suitable for both freestanding and built-in installation solutions.

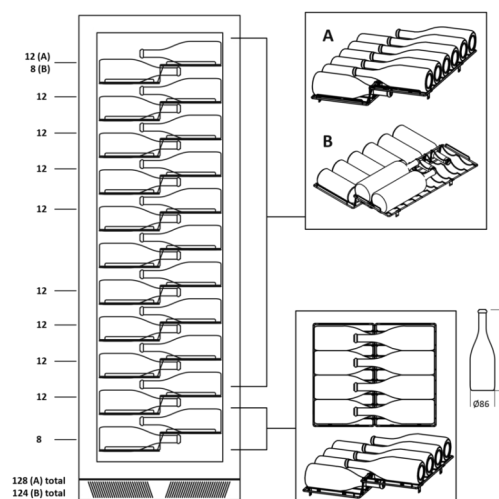
Wine Cooler, Professional

| | |
|---------------------------------|------------------|
| ■ Wine bottles, pcs | 128 |
| ■ Temperature Zones | 1 |
| ■ Noise level, dB(A) | 38 |
| ■ Product dimensions, HxWxD, mm | 1804 x 595 x 695 |
| ■ Internal light | 2 Vertical LED |
| ■ EAN code | 5704704023123 |

Measurement drawing



Number of bottles





SV 124 X

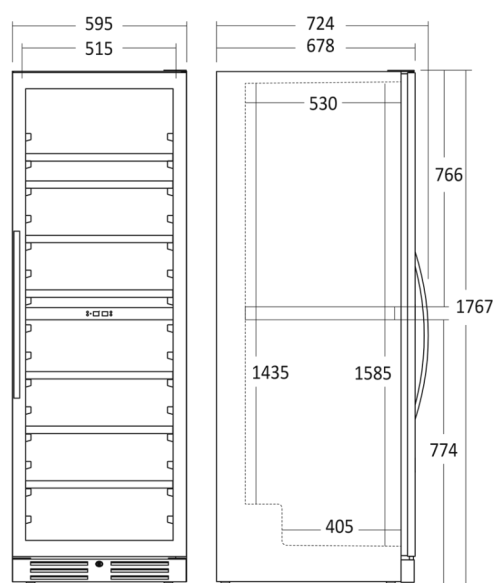


- Stylish door frame in stainless steel
 - Curved stainless steel handle
 - Two temperature zones
 - Ventilated anti-vibration cooling system
 - Bech wooden shelves with stainless trim
 - Digital controller with temperature display
 - Low noise and vibration
 - Freestanding and build-in model
- Store red and white wines at their ideal serving temperatures in separate temperature zones. Independent controls for each zone ensure perfect conditions for every bottle in your collection.
 - The UV-protected glass door helps shield your wines from harmful light exposure, preserving their character, flavour and ageing potential.
 - A vibration-dampening compressor minimizes movement inside the cabinet, helping protect the wine and allowing it to mature under optimal conditions.
 - Elegant wooden pull-out shelves provide easy access to your collection while adding a premium and sophisticated look to the cabinet interior.
 - Soft LED lighting beautifully illuminates your wine collection, creating an exclusive presentation while generating minimal heat inside the cabinet.
 - Stable temperature and humidity conditions help create the ideal environment for long-term wine storage, allowing your wines to develop naturally over time.
 - Offering complete installation flexibility, the cabinet can be seamlessly integrated into cabinetry or showcased as a freestanding centerpiece, complementing both modern and classic interiors.

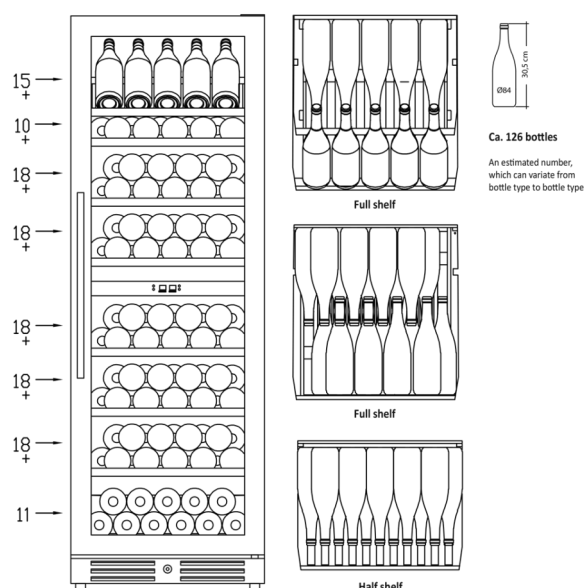
Wine Cooler, Professional

| | |
|---------------------------------|------------------|
| ■ Wine bottles, pcs | 126 |
| ■ Temperature Zones | 2 |
| ■ Noise level, dB(A) | 39 |
| ■ Product dimensions, HxWxD, mm | 1763 x 595 x 678 |
| ■ Internal light | 2 Horizontal LED |
| ■ EAN code | 5704704013094 |

Measurement drawing



Number of bottles





SV 452 B

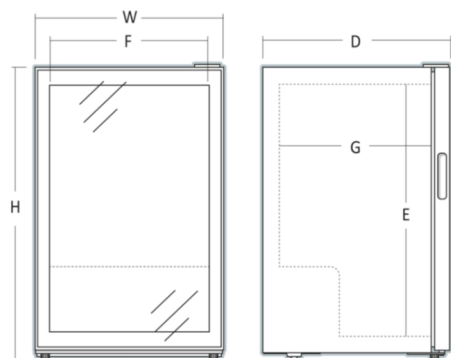


- Black glass door with thin frame
 - 2 temperature zones
 - Temperature range 4-12 & 12-22°C
 - Beech wooden shelves
 - Digital controller with temperature display
 - Reversible door
 - Freestanding model
 - UV protection on glass door
- Freestanding dual-zone wine cabinet with independently adjustable temperature zones: 5–10°C in the upper section and 10–18°C in the lower section. Perfect for storing both red and white wines at their ideal serving temperatures.
- The cabinet holds up to 45 bottles and features 5.5 elegant beech wood shelves, including 5 pull-out shelves for easy access.
- Its timeless design combines a black frameless glass door, integrated interior LED lighting, and exclusive wooden shelves for a sophisticated look. The UV-protected glass helps protect the wine from harmful light exposure, while the digital touch control ensures precise and simple temperature adjustment.
- Reversible door provides easy installation and flexible placement in any room. Beech wood shelves give a stable storage and help reduce vibrations, creating optimal conditions for preserving wine quality and maturation.

Wine Cooler, Household

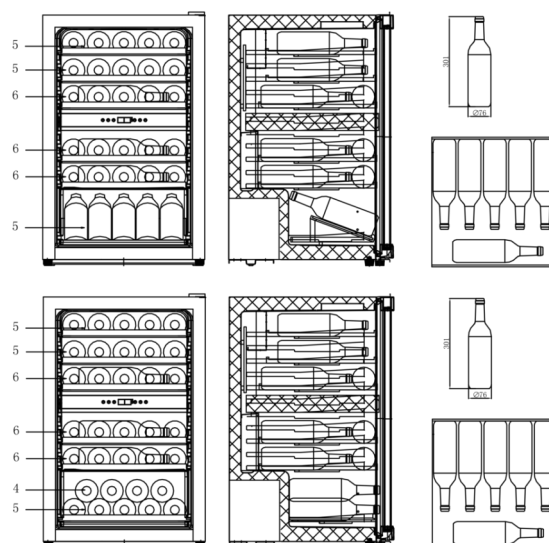
| | |
|---------------------------------|------------------|
| ■ Wine bottles, pcs | 39 |
| ■ Temperature Zones | 2 |
| ■ Noise level, dB(A) | 39 |
| ■ Product dimensions, HxWxD, mm | 845 x 540 x 548 |
| ■ Internal light | 2 Horizontal LED |
| ■ EAN code | 5704704015500 |

Measurement drawing



| | | | | | |
|-----|-----|-----|-----|-----|-----|
| H | W | D | E | F | G |
| 845 | 540 | 548 | 723 | 424 | 433 |

Number of bottles





SV 45 B

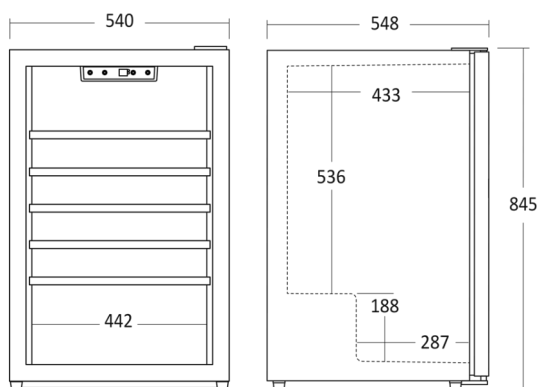


- Black glass door with thin frame
 - Freestanding model
 - One temperature zone
 - Temperature range 4-22°C
 - Digital controller with temperature display
 - Reversible door
 - Bech wooden shelves
 - Low-vibration cooling system
- Store your wines at the perfect temperature with a single temperature zone and a wide adjustable range from 4°C to 22°C, providing ideal conditions for both serving and long-term storage.
 - Wooden pull-out shelves provide easy access to your collection while adding a sophisticated touch to the cabinet interior.
 - Soft horizontal LED lighting beautifully illuminates your wine collection, creating an exclusive presentation while generating minimal heat inside the cabinet.
 - Designed to stand beautifully on its own, the cabinet serves as an elegant centerpiece, complementing both modern and classic interiors.
 - The reversible door offers flexible installation, allowing the wine cabinet to fit perfectly into any space and interior layout.
 - The low vibration cooling system helps preserve the quality and character of your wines by minimizing disturbances during storage, creating ideal conditions for every bottle in your collection.
 - The elegant black glass door with a slim frame creates a refined, contemporary look, beautifully showcasing your wine collection while complementing any interior.
 - The intuitive digital controller allows precise temperature adjustment and effortless management, ensuring your wines are always stored under optimal conditions.

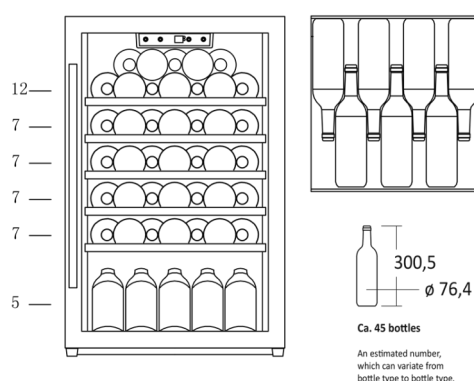
Wine Cooler, Household

| | |
|---------------------------------|------------------|
| ■ Wine bottles, pcs | 45 |
| ■ Temperature Zones | 1 |
| ■ Noise level, dB(A) | 39 |
| ■ Product dimensions, HxWxD, mm | 845 x 540 x 548 |
| ■ Internal light | 1 Horizontal LED |
| ■ EAN code | 5704704014497 |

Measurement drawing

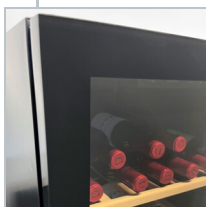


Number of bottles





WC105BG

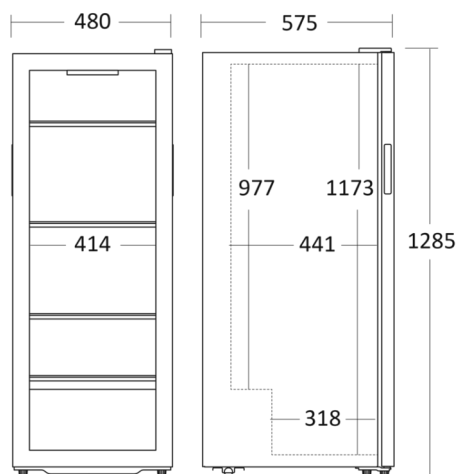


- Stylish frameless black glass door
 - Recessed handle
 - One temperature zone 5°C-20°C
 - 4 wooden shelves
 - Digital controller with temperature display
 - Low noise and vibration
 - Freestanding model
 - Horizontal LED light
- Stylish wine cabinet for freestanding installation with adjustable temperatures from 5°C to 20°C. Holds up to 105 bottles on 4 elegant beech wood shelves.
 - The electronic touch control with digital display makes temperature adjustment simple and precise, while the horizontal LED light beautifully illuminates the wine collection.
 - The timeless design features a black frameless glass door with integrated handle, exclusive wooden shelves, and stylish interior lighting.
 - Designed with flexibility in mind, the cabinet comes with a right-hinged door that can easily be reversed to suit your preferred installation. This ensures the wine cooler fits perfectly into any room layout or kitchen design.
 - Static low-vibration cooling system ensures stable storage conditions, helping protect the wine
 - Acoustic temperature warning alerts you immediately if the temperature changes unexpectedly, helping maintain optimal storage conditions for your wine collection.
 - Horizontal LED light

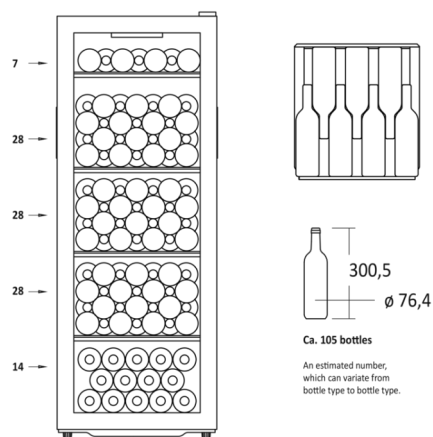
Wine Cooler, Household

| | |
|---------------------------------|------------------|
| ■ Wine bottles, pcs | 105 |
| ■ Temperature Zones | 1 |
| ■ Noise level, dB(A) | 37 |
| ■ Product dimensions, HxWxD, mm | 1285 x 480 x 575 |
| ■ Internal light | 1 Horizontal LED |
| ■ EAN code | 5704704020696 |

Measurement drawing



Number of bottles





Proper storage of your wines is important.

A wine cabinet should not only ensure that your wine is kept at the correct serving temperature, but also perform a range of other important functions, such as protecting the wine and ensuring that it matures properly.

A wine cooler is a piece of furniture in the room and should therefore not only incorporate modern technology but also feature a design that blends seamlessly with its surroundings while showcasing your wine collection in an elegant and exclusive way. We offer a wide range of wine coolers, making it easier to find the perfect solution for your wines.

Long-term storage or wine ready to serve? One or two temperature zones? – The choice is yours!

All wine cabinets in our range come standard with interior LED lighting, pull-out beech wood shelves, a digital display, a control panel for each temperature zone, UV protection, and a vibration-dampening compressor. In addition to these functional features, we have also carefully considered the colors and overall design of the cabinet. The result is a simple, stylish, and timeless appearance that fits beautifully into most homes.

Temperature:

Proper wine storage not only improves the wine's longevity but also enhances its aroma and flavor, resulting in a better wine experience. Therefore, maintain a constant temperature for your wine throughout the year. It is less important whether the wine is stored at 8°C or 18°C, as long as there are no major or rapid temperature fluctuations. We recommend a temperature somewhere in between as the optimal storage condition. If wine is stored too cold, it will develop very slowly; if it is stored in an environment that is too warm, it will develop too quickly.

Humidity:

The wine storage area should ideally have a relative humidity between 50% and 75%.

If the humidity is below 50%, there is a risk that the corks will dry out and allow air to enter the bottle, which can negatively affect the wine's quality. Humidity above 80% will not harm the wine itself, but the labels may become damaged. To remain airtight, the cork must stay moist. Therefore, it is important that wine bottles are always stored horizontally, ensuring that the cork remains in contact with the wine.

Protection from Light and Heat:

Wine should be stored in a dark environment. Excessive light exposure, especially from fluorescent lighting, can cause the wine to mature more quickly than normal, as light accelerates oxidation.

The UV rays in sunlight can also damage wine. All of our wine cabinets feature UV-filtered glass doors to protect your wine, but we still recommend placing the cabinet away from direct sunlight.

The wine coolers are equipped with energy-efficient LED lighting that is free from harmful UV rays and emits significantly less heat into the cabinet than traditional light sources.

Vibrations and Shocks:

Strong vibrations and shocks are harmful to your wine. Young wines can usually recover after transportation and "heal" themselves. Mature wines, however, are much more delicate and are at greater risk of changing character. Therefore, it is important that your wine storage area is protected from vibrations and shocks.

scandomestic

- your professional and reliable partner



Scandomestic A/S

Linåvej 20 . DK-8600 Silkeborg

Tel: + 45 7242 5571 . www.scandomestic.com